

CART, POPCORN

26708 - 2 1 REQ'D

BUYOUTS BY KEVRY

No	U-Qty	Item#	Ship	Symix#	DESCRIPTION
1	5				
2	1		B	116	PULL: CHROME_P50-1010
3	1		B	900	ELBOW: COPPER_90_DEGREE_3/4_607-007
4	2			906	TUBE: COPPER_TYPE_M_LIGHT_WALL_3/4
5	2		B	1240	COVER: RECEPTACLE_SINGLE-GANG_GALV-93101
6	3		B	1245	BOX: UTILITY_1-7/8D_58361-1/2
7	2			1410	TUBE: COPPER_1/4
8	1		B	2659	ADAPTOR: MALE_COPPER_3/4X3/4_SLP_604-007
9	1		B	3084	COVER: UTILITY_BLANK_GALVANIZED_58C1
10	2		B	3626	RECEPTACLE: DUPLEX_15A_125V_CR15-1
11	1		B	6970	RECEPTACLE: DUPLEX_20A_125V_CR20-1
12	1		B	7743	BOX: OUTLET_4_SQUARE_2-1/8D52171-1/2&3/4
13	1		B	8098	SWITCH: PILOT_LIGHT_20A_1P-120V_1221PLR
14	1		B	9396	TEE: 1/2_W4001
15	1			9797	LOAD_CENTER: 125A_1P3W_ED408ML1125S
16	4		B	9845	HOSE: VINYL_3/4''_NSF
17	6		B	9846	CLAMP: HOSE_3/4''_S/S
18	1		B	9866	PUMP: PUMP_ASSY_115V_3_5GPM_NSF
19	1		B	9872	FAUCET: DECK_ENCORE_6''_KN41-4006
20	2		B	9878	TRAP: GAS_P_TRAP_74-1511
21	2		B	9926	ELBOW: PVC_SH80_1/2FPT
22	4		B	9964	FITTING: PP_FC_3/8X1/2
23	2		B	9965	FITTING: PP_MC_3/8X1/2
24	6		L	9968	HOSE: VINYL_POLY_3/8''O.D._E64-0100
25	2		B	10001	FITTING: BRASS_FC_1/4CMPX1/2FPT
26	1		B	10019	Cord: Power_16/3_13A_6''_NEMAS-15PLG
27	1		B	10268	COVER: RAISED_1SW/1DUPLEX_RECPT_RS-2
28	1		B	10480	FITTING: TEE_PVC_3/4''_HOSE_BARB_CONNECT
29	1		B	10564	HEATER: WATER_2_5GAL_W152
30	1		B	10766	TANK: WATER_5_5_GAL_10400
31	1		B	11290	VALVE: RELIEF_T&P_3/4''_INLET_4X563
32	2		B	13321	COUPLING: BODY_1/2''NPT_SHUTOFF_STRAIGHT
33	1		B	13322	COUPLING: INSERT_1/2''NPT_SHUTOFF_STR
34	1		B	13323	COUPLING: INSERT_3/4NPT_SHUTOFF_HOSE_BARB
35	1		B	13329	TANK: WATER_7_GAL_LLDPE
36	2		B	13339	ELBOW: WHITE_PVC_SCH_40_1/2''_90_DEG_STR
37	2		B	13343	UNION: DIELECTRIC_1/2
38	2		B	13496	LABOR: FAB_COMPONENT_T/M
39	1		B	13744	SINK: MOLI_BLK_2-BOWL_BUS-1210
40	2		B	13928	WHEEL: CART_WAGON_KIT
41	2		B	14141	LIGHT: TRACK_LAMP-PRO_INCANDESCENT

BUYOUTS BY KEVRY CORPORATION

No	U-Qty	Item#	Ship	Symix#	DESCRIPTION
1	1			XXXX	POPCORN MACHINE: 16 oz. MERCHANT

DRAWN BY: **RJ**
APPROVED: **No**

ORDER NO. **26708**
ITEM NO. **2**

CONSULTANT: **AS SHOWN**
SCALE: **AS SHOWN**
START DATE: **28-Nov-02**
FINAL PLOT: **28-Nov-02**
MODEL NAME: **BODY**
REVISION: *****

KEVRY CORPORATION
Popcorn Wagon

16133 W. 45th Drive
Golden, Colorado 80403
(303)271-9300
(303)271-3645 FAX



STAINLESS
MILLWORK
ELECTRICAL
PLUMBING
REFRIGERATION

DWG. NO. **1 OF 4**

THIS DRAWING IS THE PROPERTY OF KEVRY CORP. AND IS TO REMAIN IN THE POSSESSION OF OUR REPRESENTATIVE UNLESS PERMISSION IS GIVEN BY KEVRY CORP. AND MUST BE RETURNED WHEN REQUESTED

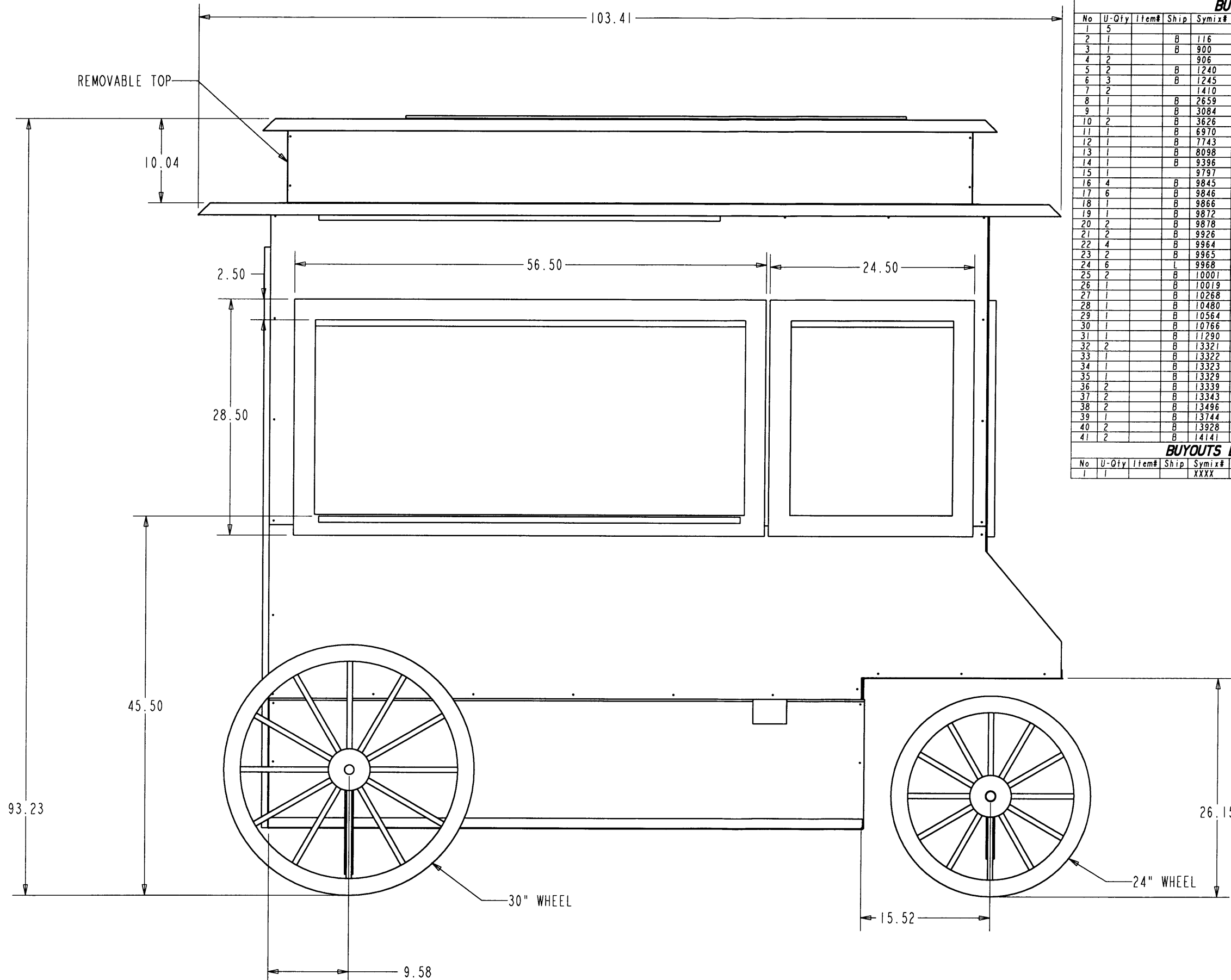
CART, POPCORN
26708 - 2 1 REQ'D

BUYOUTS BY KEVRY

No	U-Qty	Item#	Ship	Symix#	DESCRIPTION
1	5				
2	1		B	116	PULL : CHROME_P50-1010
3	1		B	900	ELBOW : COPPER_90_DEGREE_3/4_607-007
4	2			906	TUBE : COPPER_TYPE_M_LIGHT_WALL_3/4
5	2		B	1240	COVER : RECEPTACLE_SINGLE-GANG_GALV-93101
6	3		B	1245	BOX : UTILITY_1-7/8D_58361-1/2
7	2			1410	TUBE : COPPER_1/4
8	1		B	2659	ADAPTOR : MALE_COPPER_3/4X3/4_SLP_604-007
9	1		B	3084	COVER : UTILITY_BLANK_GALVANIZED_58C1
10	2		B	3626	RECEPTACLE : DUPLEX_15A_125V_CR15-1
11	1		B	6970	RECEPTACLE : DUPLEX_20A_125V_CR20-1
12	1		B	7743	BOX : OUTLET_4_SQUARE_2-1/8D52171-1/2&3/4
13	1		B	8098	SWITCH : PILOT_LIGHT_20A_1P-120V_1221PLR
14	1		B	9396	TEE : 1/2_W4001
15	1			9797	LOAD_CENTER : 125A_IP3W_E0408ML1125S
16	4		B	9845	HOSE : VINYL_3/4''_NSF
17	6		B	9846	CLAMP : HOSE_3/4''_S/S
18	1		B	9866	PUMP : PUMP_ASSY_115V_3_5GPM_NSF
19	1		B	9872	FAUCET : DECK_ENCORE_6''_KN41-4006
20	2		B	9878	TRAP : GAS_P_TRAP_74-1511
21	2		B	9926	ELBOW : PVC_SH80_1/2FPT
22	4		B	9964	FITTING : PP_FC_3/8X1/2
23	2		B	9965	FITTING : PP_MC_3/8X1/2
24	6		L	9968	HOSE : VINYL_POLY_3/8''_O.D._E64-0100
25	2		B	10001	FITTING : BRASS_FC_1/4CMPX1/2FPT
26	1		B	10019	Cord : Power_16/3_13A_6''_NEMA5-15PLG
27	1		B	10268	COVER : RAISED_ISW/IDUPLEX_RECPT_RS-2
28	1		B	10480	FITTING : TEE_PVC_3/4''_HOSE_BARB_CONNECT
29	1		B	10564	HEATER : WATER_2_5GAL_W152
30	1		B	10766	TANK : WATER_5_5_GAL_10400
31	1		B	11290	VALVE : RELIEF_T&P_3/4''_INLET_4X563
32	2		B	13321	COUPLING : BODY_1/2''_NPT_SHUTOFF_STRAIGHT
33	1		B	13322	COUPLING : INSERT_1/2''_NPT_SHUTOFF_STRT
34	1		B	13323	COUPLING : INSERT_3/4NPT_SHUTOFF_HOSE_BARB
35	1		B	13329	TANK : WATER_7_GAL_LLDP
36	2		B	13339	ELBOW : WHITE_PVC_SCH_40_1/2''_90_DEG_STR
37	2		B	13343	UNION : DIELECTRIC_1/2
38	2		B	13496	LABOR : FAB_COMPONENT_T/M
39	1		B	13744	SINK : MOL_I_BLK_2-BOWL_BUS-1210
40	2		B	13928	WHEEL : CART_WAGON_KIT
41	2		B	14141	LIGHT : TRACK_LAMP-PRO_INCANDESCENT

BUYOUTS BY KEVRY CORPORATION

No	U-Qty	Item#	Ship	Symix#	DESCRIPTION
1	1			XXXX	POPCORN MACHINE : 16 oz_MERCHANT



DRAWN BY: **RJ**
APPROVED: **No**

ORDER NO. **26708**
ITEM NO. **2**

CONSULTANT: **AS SHOWN**
SCALE: **AS SHOWN**
START DATE: **26-Nov-02**
FINAL PLOT: **BODY**
MODEL NAME: **BODY**
REVISION:

KEVRY CORPORATION
Popcorn Wagon

16133 W. 45th Drive
Golden, Colorado 80403
(303)271-9300
(303)271-3645 FAX



STAINLESS MILL WORK
ELECTRICAL
PLUMBING
REFRIGERATION
DWG. NO. **2 OF 4**

THIS DRAWING IS THE PROPERTY OF KEVRY CORP. AND IS TO REMAIN IN THE POSSESSION OF OUR REPRESENTATIVE UNLESS PERMISSION IS GIVEN BY KEVRY CORP. AND MUST BE RETURNED WHEN REQUESTED

CART, POPCORN
26708 - 2 1 REQ'D

BUYOUTS BY KEVRY

No	U-Qty	Item#	Ship	Symix#	DESCRIPTION
1	5				
2	1		B	116	PULL: CHROME_P50-1010
3	1		B	900	ELBOW: COPPER_90_DEGREE_3/4_607-007
4	2			906	TUBE: COPPER_TYPE_M_LIGHT_WALL_3/4
5	2		B	1240	COVER: RECEPTACLE_SINGLE-GANG_GALV_93101
6	3		B	1245	BOX: UTILITY_1-7/8D_58361-1/2
7	2			1410	TUBE: COPPER_1/4
8	1		B	2659	ADAPTOR: MALE_COPPER_3/4X3/4_SLP_604-007
9	1		B	3084	COVER: UTILITY_BLANK_GALVANIZED_58C1
10	2		B	3626	RECEPTACLE: DUPLEX_15A_125V_CR15-1
11	1		B	6970	RECEPTACLE: DUPLEX_20A_125V_CR20-1
12	1		B	7743	BOX: OUTLET_4_SQUARE_2-1/8D52171-1/2&3/4
13	1		B	8098	SWITCH: PILOT_LIGHT_20A_1P-120V_1221PLR
14	1		B	9396	TEE: 1/2_W4001
15	1			9797	LOAD_CENTER: 125A_1P3W_E0408ML1125S
16	4		B	9845	HOSE: VINYL_3/4".NSF
17	6		B	9846	CLAMP: HOSE_3/4".S/S
18	1		B	9866	PUMP: PUMP_ASSY_115V_3_5GPM.NSF
19	1		B	9872	FAUCET: DECK_ENCORE_6".KN41-4006
20	2		B	9878	TRAP: GAS_P_TRAP_74-1511
21	2		B	9926	ELBOW: PVC_SH80_1/2FPT
22	4		B	9964	FITTING: PP_FC_3/8X1/2
23	2		B	9965	FITTING: PP_MC_3/8X1/2
24	6		L	9968	HOSE: VINYL_POLY_3/8"O.D..E64-0100
25	2		B	10001	FITTING: BRASS_FC_1/4CMPX11/2FPT
26	1		B	10019	Cord: Power_16/3_13A_6".NEMA5-15PLG
27	1		B	10268	COVER: RAISED_ISW1IDUPLEX_RECPT_RS-2
28	1		B	10480	FITTING: TEE_PVC_3/4".HOSE_BARB_CONNECT
29	1		B	10564	HEATER: WATER_2_5GAL_W152
30	1		B	10766	TANK: WATER_5_5_GAL_10400
31	1		B	11290	VALVE: RELIEF_T&P_3/4".INLET_4X563
32	2		B	13321	COUPLING: BODY_1/2"NPT_SHUTOFF_STRAIGHT
33	1		B	13322	COUPLING: INSERT_1/2"NPT_SHUTOFF_STRT
34	1		B	13323	COUPLING: INSERT_3/4NPT_SHTOFF_HOSE_BARB
35	1		B	13329	TANK: WATER_7_GAL_LLDPE
36	2		B	13339	ELBOW: WHITE_PVC_SCH_40_1/2".90_DEG_STR
37	2		B	13343	UNION: DIELECTRIC_1/2
38	2		B	13496	LABOR: FAB_COMPONENT_T/M
39	1		B	13744	SINK: MOLI_BLK_2-BOWL_BUS-1210
40	2		B	13928	WHEEL: CART_WAGON_KIT
41	2		B	14141	LIGHT: TRACK_LAMP-PRO_INCANDESCENT

BUYOUTS BY KEVRY CORPORATION

No	U-Qty	Item#	Ship	Symix#	DESCRIPTION
1	1			XXXX	POPCORN MACHINE: 16 oz. MERCHANT

DRAWN BY: **RJ**
APPROVED: **No**

ORDER NO: **26708**
ITEM NO: **2**

CONSULTANT: **AS SHOWN**
SCALE: **AS SHOWN**
START DATE: **28-Nov-02**
FINAL DATE: **28-Nov-02**
MODEL NAME: **BODY**
REVISION:

KEVRY CORPORATION
Popcorn Wagon

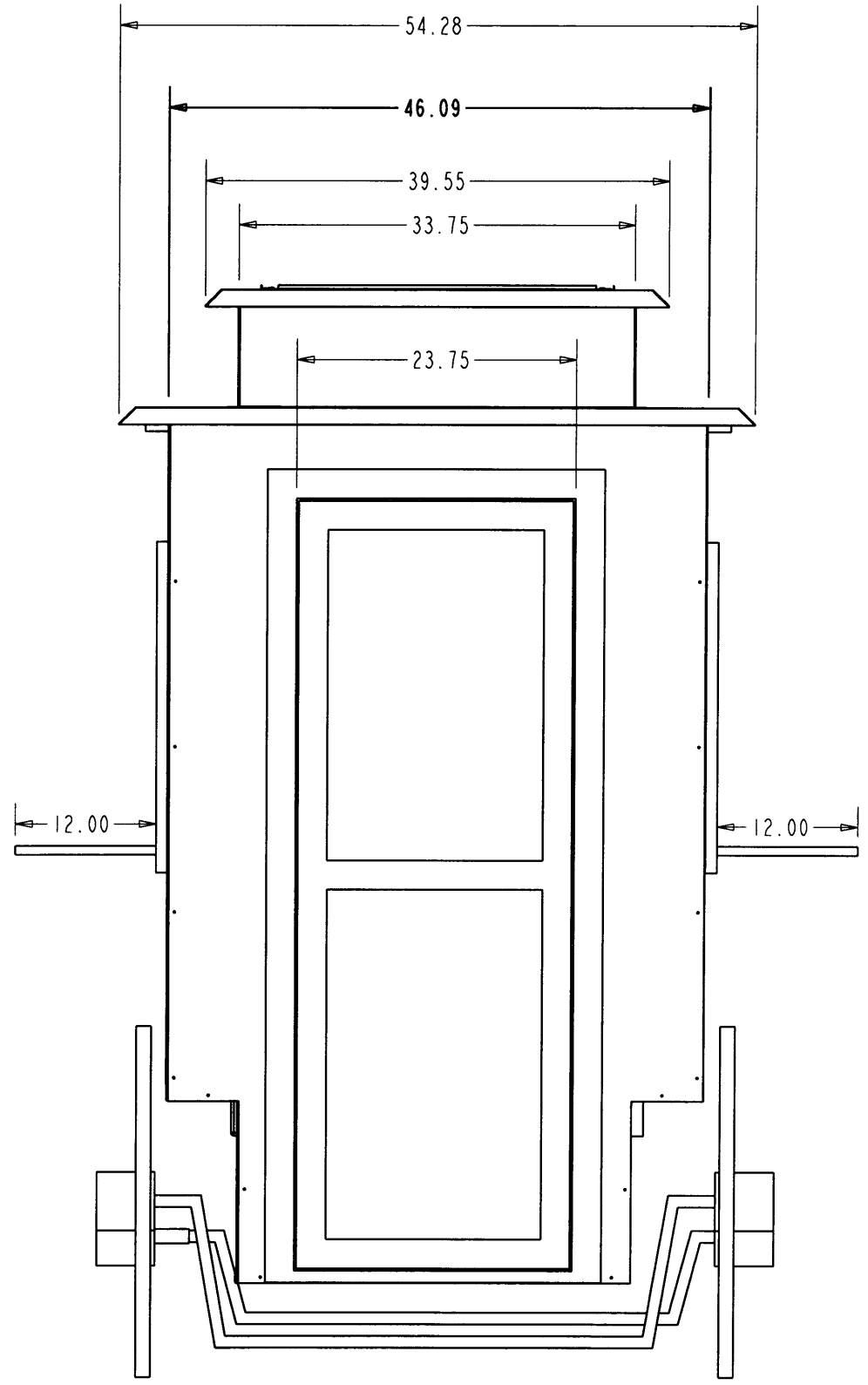
16133 W. 45th Drive
Golden, Colorado 80403
(303)271-9300
(303)271-3645 FAX



STAINLESS MILLWORK
ELECTRICAL
PLUMBING
REFRIGERATION

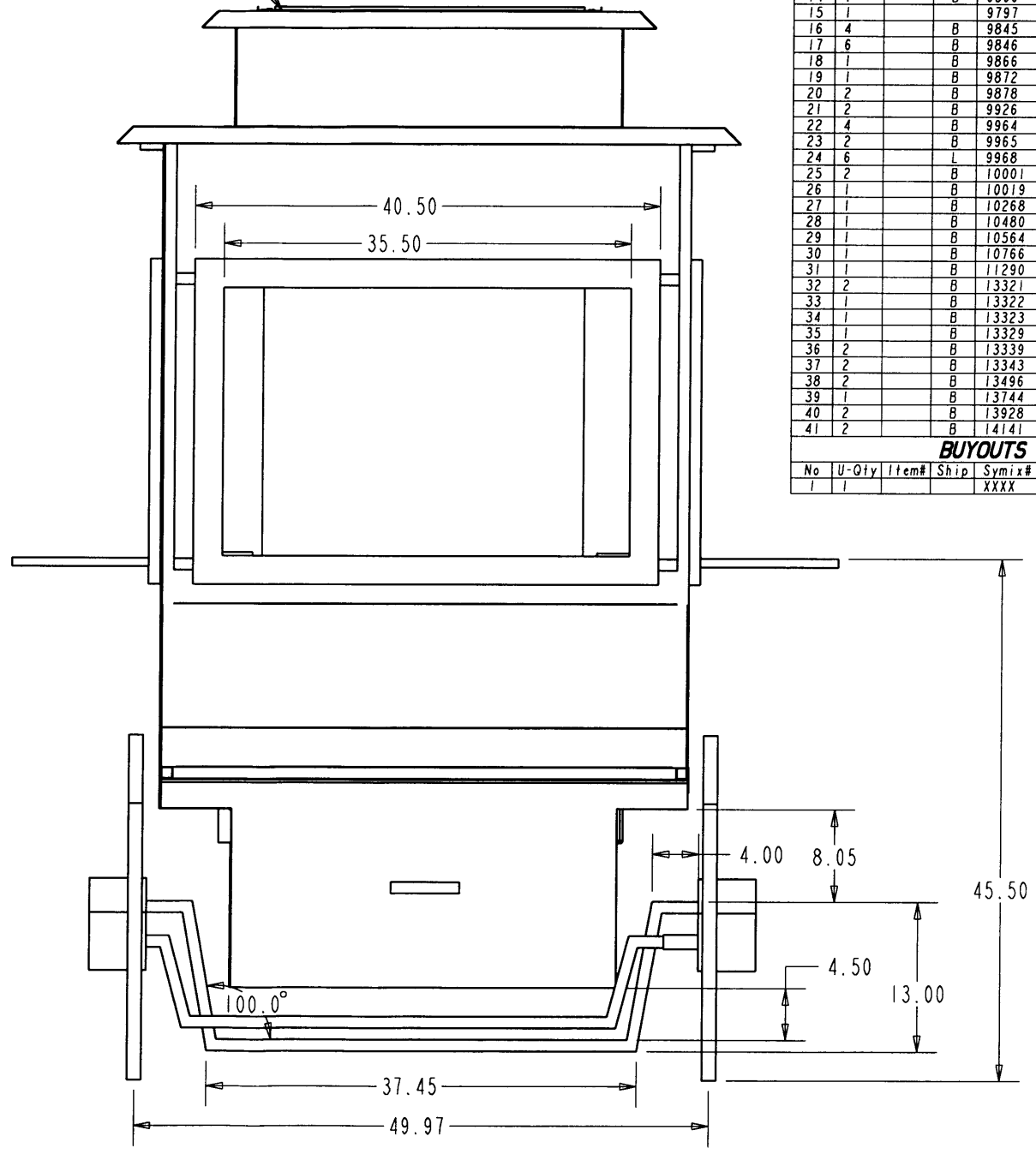
DWG. NO. **3 OF 4**

THIS DRAWING IS THE PROPERTY OF KEVRY CORP. AND IS TO REMAIN IN THE POSSESSION OF OUR REPRESENTATIVE UNLESS PERMISSION IS GIVEN BY KEVRY CORP. AND MUST BE RETURNED WHEN REQUESTED

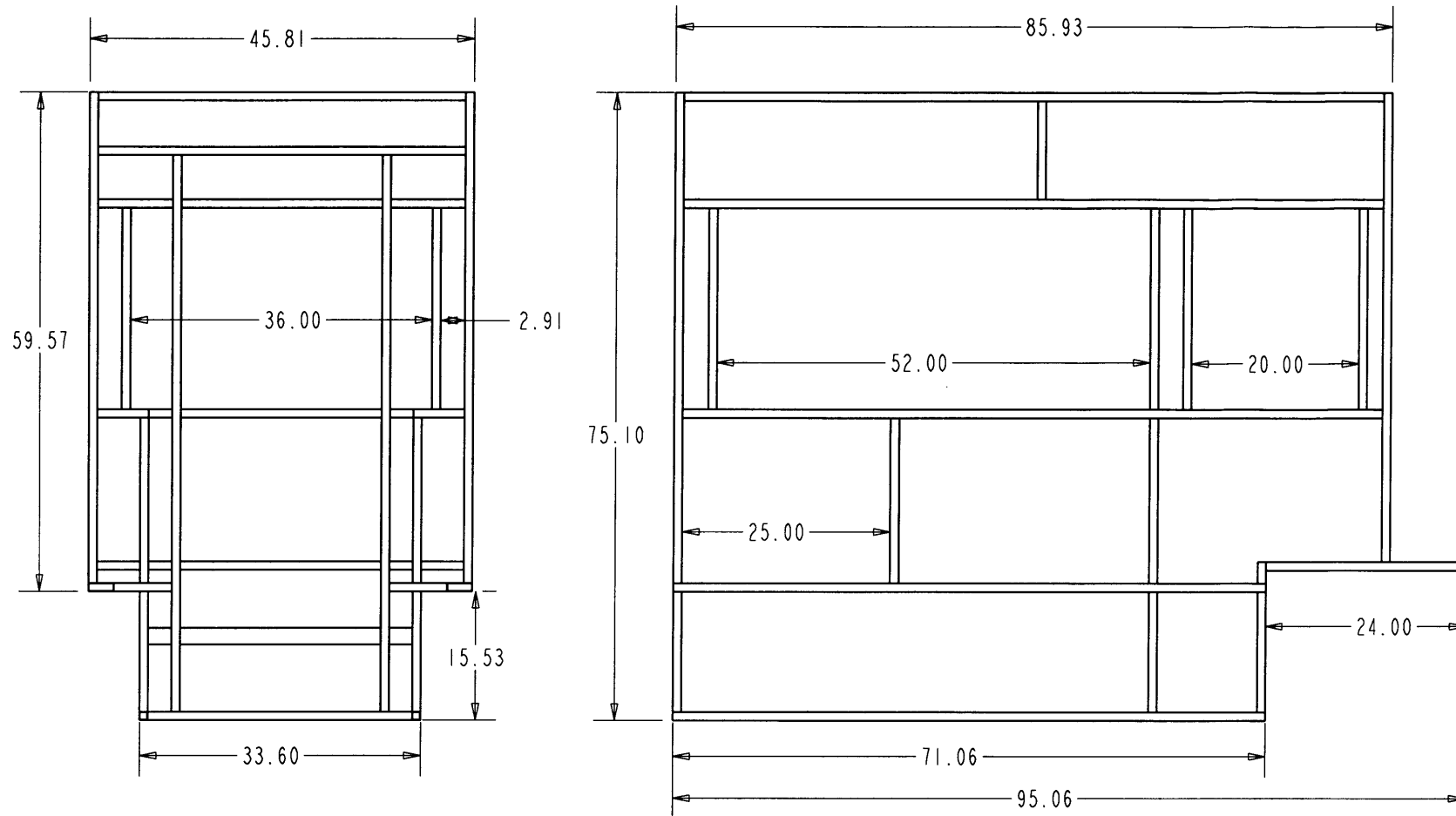


REAR VIEW
Scale: 3/4" = 1'-0"

SLIDE BACK COVER



FRONT VIEW
Scale: 3/4" = 1'-0"



CART, POPCORN

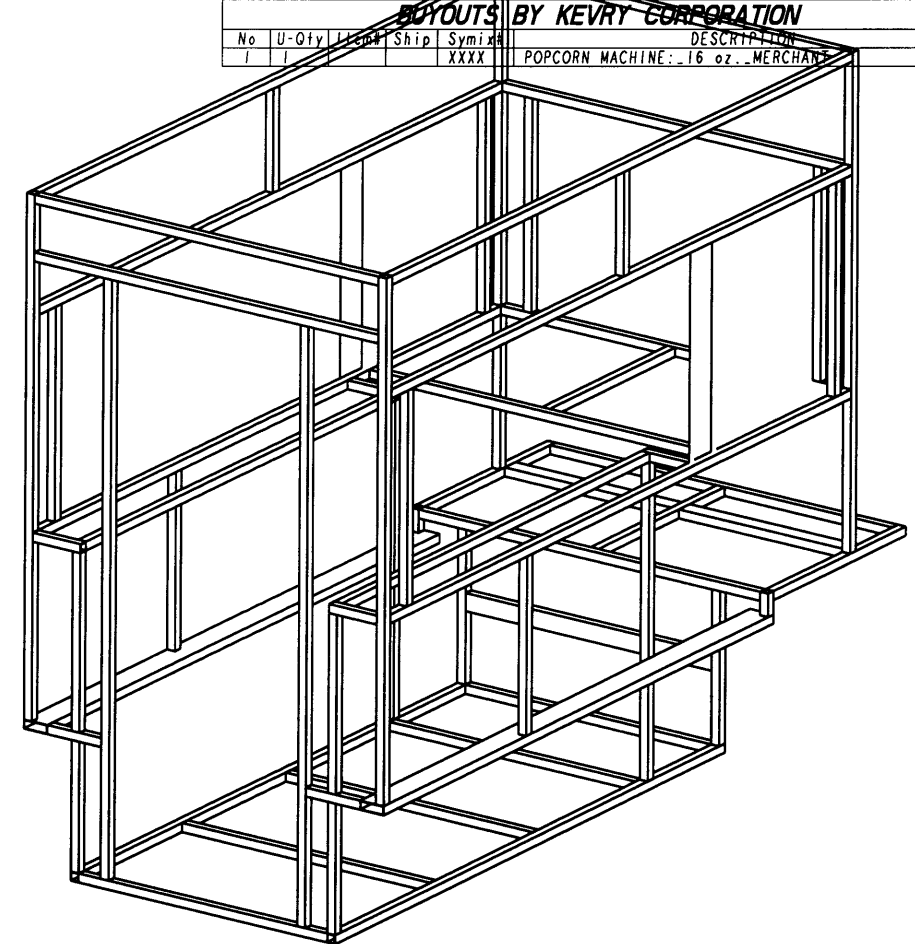
26708 - 2 1 REQ'D

BUYOUTS BY KEVRY

No	U-Qty	Item#	Ship	Sym#	DESCRIPTION
1	5				
2	1		B	116	PULL: CHROME_P50-1010
3	1		B	900	ELBOW: COPPER_90_DEGREE_3/4_607-007
4	2			906	TUBE: COPPER_TYPE_M_LIGHT_WALL_3/4
5	2		B	1240	COVER: RECEPTACLE_SINGLE-GANG_GALV-93101
6	3		B	1245	BOX: UTILITY_1-7/8D_58361-1/2
7	2			1410	TUBE: COPPER_1/4
8	1		B	2659	ADAPTOR: MALE COPPER_3/4X3/4_SLP_604-007
9	1		B	3084	COVER: UTILITY_BLANK_GALVANIZED_58C1
10	2		B	3626	RECEPTACLE: DUPLEX_15A_125V_CR15-1
11	1		B	6970	RECEPTACLE: DUPLEX_20A_125V_CR20-1
12	1		B	7743	BOX: OUTLET_4_SQUARE_2-1/8D52171-1/2&3/4
13	1		B	8098	SWITCH: PILOT_LIGHT_20A_1P-120V_1221PLR
14	1		B	9396	TEE: 1/2_W4001
15	1			9797	LOAD_CENTER: 125A_1P3W_E0408ML1125S
16	4		B	9845	HOSE: VINYL_3/4".NSF
17	6		B	9846	CLAMP: HOSE_3/4".S/S
18	1		B	9866	PUMP: PUMP_ASSY_115V_3_5GPM.NSF
19	1		B	9872	FAUCET: DECK_ENCORE_6".KN41-4006
20	2		B	9878	TRAP: GAS_P_TRAP_74-1511
21	2		B	9926	ELBOW: PVC_SH80_1/2FPT
22	4		B	9964	FITTING: PP_FC_3/8X1/2
23	2		B	9965	FITTING: PP_MC_3/8X1/2
24	6		L	9968	HOSE: VINYL_PLY_3/8".O.D._E64-0100
25	2		B	10001	FITTING: BRASS_FC_1/4CMPX1/2FPT
26	1		B	10019	Cord: Power_16/3_13A_6".NEMA5-15PLG
27	1		B	10268	COVER: RAISED_ISW_IDUPLEX_RECPT_RS-2
28	1		B	10480	FITTING: TEE_PVC_3/4".HOSE_BARB_CONNECT
29	1		B	10564	HEATER: WATER_2_5GAL_W152
30	1		B	10766	TANK: WATER_5_5_GAL_10400
31	1		B	11290	VALVE: RELIEF_T&P_3/4".INLET_4X563
32	2		B	13321	COUPLING: BODY_1/2".NPT_SHUTOFF_STRAIGHT
33	1		B	13322	COUPLING: INSERT_1/2".NPT_SHUTOFF_STRT
34	1		B	13323	COUPLING: INSERT_3/4NPT_SHUTOFF_HOSE_BARB
35	1		B	13329	TANK: WATER_7_GAL_LLDP
36	2		B	13339	ELBOW: WHITE_PVC_SCH_40_1/2".90_DEG_STR
37	2		B	13343	UNION: DIELECTRIC_1/2
38	2		B	13496	LABOR: FAB_COMPONENT_T/M
39	1		B	13744	SINK: MOLL_BLK_2-BOWL_BUS-1210
40	2		B	13928	WHEEL: CART_WAGON_KIT
41	2		B	14241	LIGHT: TRACK_LAMP-PRO_INCANDESCENT

BUYOUTS BY KEVRY CORPORATION

No	U-Qty	Item#	Ship	Sym#	DESCRIPTION
1	1			XXXX	POPCORN MACHINE: 16 oz. MERCHAND



ORDER NO. 26708
ITEM NO. 2

CONSULTANT: AS SHOWN
START DATE: 22-MAY-02
FINAL PLOT: BODY
MODEL NAME: REVISION:

DRAWN BY: RJ
APPROVED: No

KEVRY CORPORATION
Popcorn Wagon

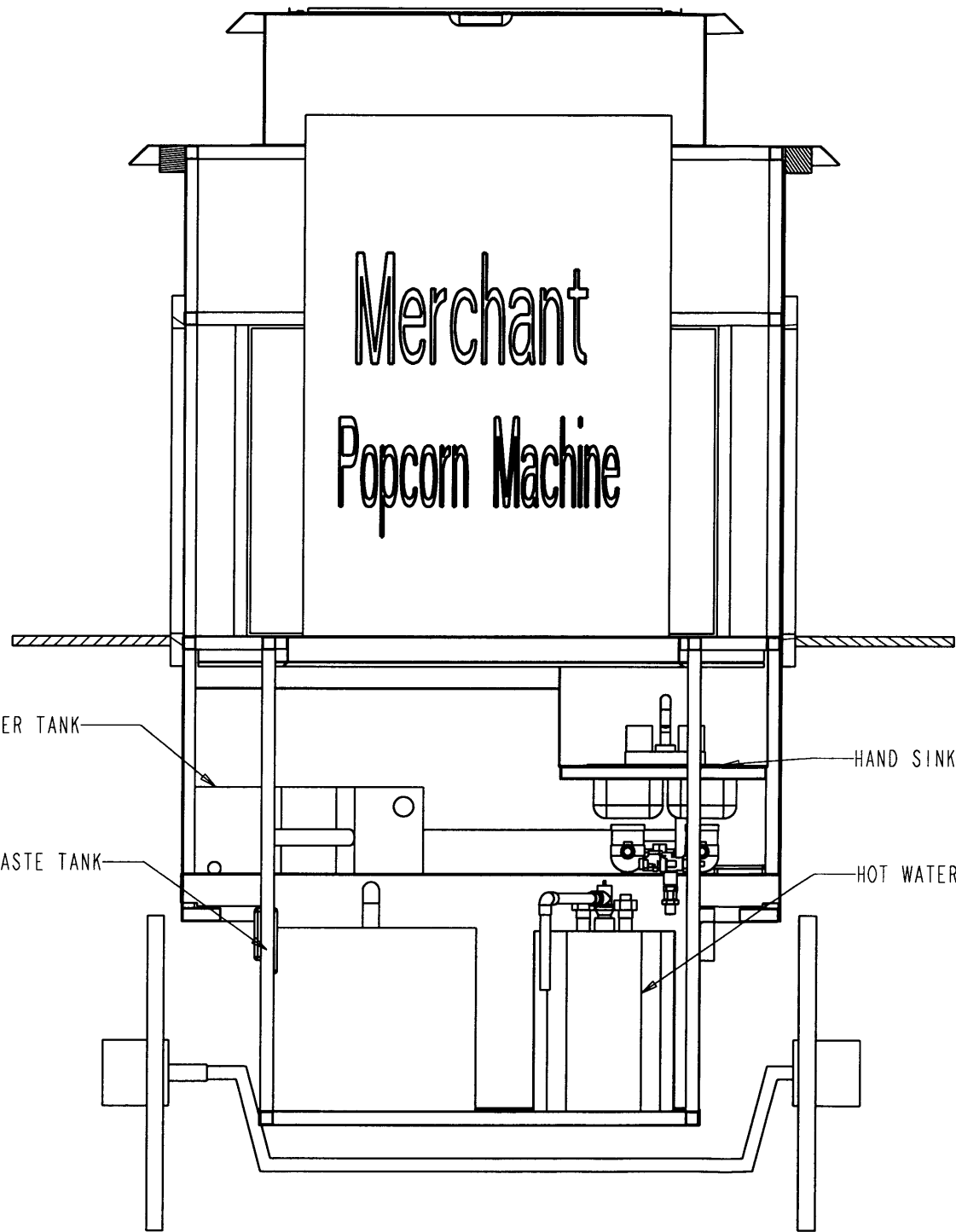
16133 W. 45th Drive
Golden, Colorado 80403
(303)271-9300
(303)271-3645 FAX



STAINLESS MILLWORK
ELECTRICAL
PLUMBING
REFRIGERATION

DWG. NO. OF

THIS DRAWING IS THE PROPERTY OF KEVRY CORP. AND IS TO REMAIN IN THE POSSESSION OF OUR REPRESENTATIVE UNLESS PERMISSION IS GIVEN BY KEVRY CORP. AND MUST BE RETURNED WHEN REQUESTED



SECTION A-A
SCALE 0.080

CART, POPCORN
26708 - 2 1 REQ'D

BUYOUTS BY KEVRY

No	U-Qty	Item#	Ship	Symix#	DESCRIPTION
1	5				
2	1		B	116	PULL: CHROME_P50-1010
3	1		B	900	ELBOW: COPPER_90_DEGREE_3/4_607-007
4	2			906	TUBE: COPPER_TYPE_M_LIGHT_WALL_3/4
5	2		B	1240	COVER: RECEPTACLE_SINGLE-GANG_GALV-93101
6	3		B	1245	BOX: UTILITY_1-7/8D_58361-1/2
7	2			1410	TUBE: COPPER_1/4
8	1		B	2659	ADAPTOR: MALE_COPPER_3/4X3/4_SLP_604-007
9	1		B	3084	COVER: UTILITY_BLANK_GALVANIZED_58C1
10	2		B	3626	RECEPTACLE: DUPLEX_15A_125V_CR15-1
11	1		B	6970	RECEPTACLE: DUPLEX_20A_125V_CR20-1
12	1		B	7743	BOX: OUTLET_4_SQUARE_2-1/8D52171-1/2&3/4
13	1		B	8098	SWITCH: PILOT_LIGHT_20A_1P_120V_1221PLR
14	1		B	9396	TEE: 1/2_W4001
15	1			9797	LOAD_CENTER: 125A_1P3W_E0408ML125S
16	4		B	9845	HOSE: VINYL_3/4''_NSF
17	6		B	9846	CLAMP: HOSE_3/4''_S/S
18	1		B	9866	PUMP: PUMP_ASSY_115V_3_5GPM_NSF
19	1		B	9872	FAUCET: DECK_ENCORE_6''_KN41-4006
20	2		B	9878	TRAP: GAS_P_TRAP_74-1511
21	2		B	9926	ELBOW: PVC_SH80_1/2FPT
22	4		B	9964	FITTING: PP_FC_3/8X1/2
23	2		B	9965	FITTING: PP_MC_3/8X1/2
24	6		L	9968	HOSE: VINYL_POLY_3/8''_O.D._E64-0100
25	2		B	10001	FITTING: BRASS_FC_1/4CMPX1/2FPT
26	1		B	10019	Cord: Power_16/3_13A_6''_NEMA5-1SPLG
27	1		B	10268	COVER: RAISED_1SW/1DUPLEX_RECPT_RS-2
28	1		B	10480	FITTING: TEE_PVC_3/4''_HOSE_BARB_CONNECT
29	1		B	10564	HEATER: WATER_2_SGAL_W152
30	1		B	10766	TANK: WATER_5.5_GAL_10400
31	1		B	11290	VALVE: RELIEF_T&P_3/4''_INLET_4X563
32	2		B	13321	COUPLING: BODY_1/2''NPT_SHUTOFF_STRAIGHT
33	1		B	13322	COUPLING: INSERT_1/2''NPT_SHUTOFF_STR
34	1		B	13323	COUPLING: INSERT_3/4NPT_SHUTOFF_HOSE_BARB
35	1		B	13329	TANK: WATER_7_GAL_LLDP
36	2		B	13339	ELBOW: WHITE_PVC_SCH_40_1/2''_90_DEG_STR
37	2		B	13343	UNION: DIELECTRIC_1/2
38	2		B	13496	LABOR: FAB_COMPONENT_T/M
39	1		B	13744	SINK: MOLI_BLK_2-BOWL_BUS-1210
40	2		B	13928	WHEEL: CART_WAGON_KIT
41	2		B	14141	LIGHT: TRACK_LAMP-PRO_INCANDESCENT

BUYOUTS BY KEVRY CORPORATION

No	U-Qty	Item#	Ship	Symix#	DESCRIPTION
1	1			XXXX	POPCORN MACHINE: 16 oz_MERCHANT

DRAWN BY: **RJ**
APPROVED: **No**

ORDER NO. **26708**
ITEM NO. **2**

CONSULTANT: **AS SHOWN**
START DATE: **28-Nov-02**
FINAL DATE: **28-Nov-02**
MODEL NAME: **BODY**
REVISION:

KEVRY CORPORATION
Popcorn Wagon

16133 W. 45th Drive
Golden, Colorado 80403
(303)271-9300
(303)271-3645 FAX



STAINLESS
MILLWORK
ELECTRICAL
PLUMBING
REFRIGERATION

DWG. NO. **4 OF 4**

THIS DRAWING IS THE PROPERTY OF KEVRY CORP. AND IS TO REMAIN IN THE POSSESSION OF OUR REPRESENTATIVE UNLESS PERMISSION IS GIVEN BY KEVRY CORP. AND MUST BE RETURNED WHEN REQUESTED

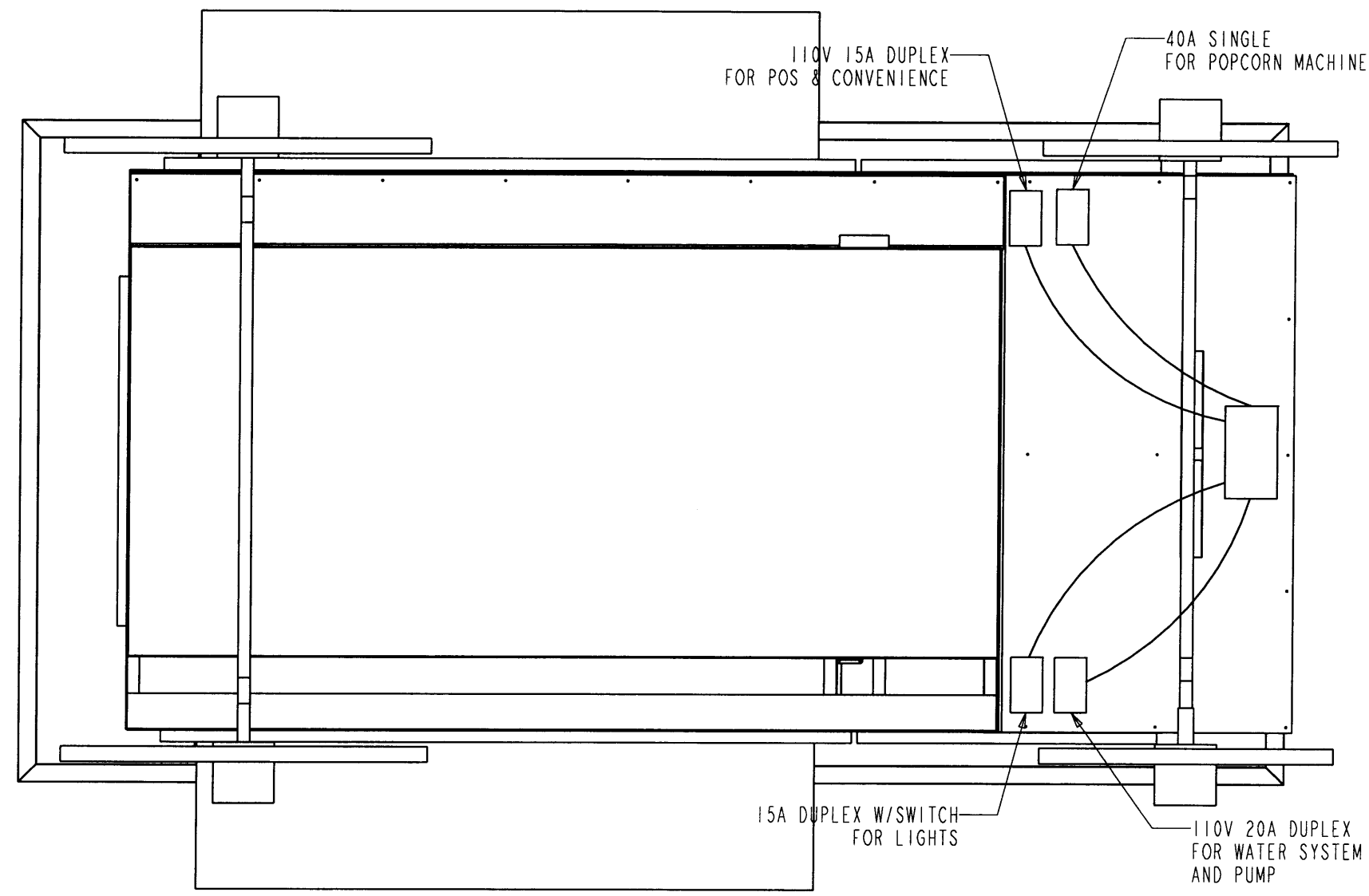
ITEM #	QTY	ITEM DESCRIPTION	VOLTS/ PHASE	UNIT AMPS	TOTAL AMPS	BREAKER TYPE	BREAKER NO.	PHASE	BREAKER NO.	BREAKER TYPE	TOTAL AMPS	UNIT AMPS	VOLTS/ PHASE	ITEM DESCRIPTION	QTY	ITEM #
A & B	1	DR FOR WATER SYSTEM & LIGHTS	120	16.9	16.9	1P20A	1	AØ	2	2P30A	27.5	27.5	120	SR FOR POPCORN MACHINE	C	
D	2	DR FOR POS & CONVENIENCE	120	15	15	1P15A	3	AØ	4	—	—	—	—	—	—	—

FRAME, CART, POPCORN					
26708 - 2			1 REQ'D		
BUYOUTS BY KEVRY					
No	U-Qty	Item#	Ship	Symix#	DESCRIPTION
BUYOUTS BY KEVRY CORPORATION					
No	U-Qty	Item#	Ship	Symix#	DESCRIPTION

DRAWN BY: **RJ**
APPROVED: **Yes**

ORDER NO. **26708**
ITEM NO. **2**

CONSULTANT: **AS SHOWN**
SCALE: **AS SHOWN**
START DATE: **23-Mar-03**
FINAL DATE: **23-Mar-03**
MODEL NAME: **FRAME**
REVISION: **1**



KEVRY CORPORATION
Popcorn Wagon

16133 W. 45th Drive
Golden, Colorado 80403
(303)271-9300
(303)271-3645 FAX



CONDUIT TYPE:		FLEX	VOLTAGE		120/1			
ITEM	QTY.	DESCRIPTION	VOLTAGE	PHASE	UNIT AMPS	TOTAL AMPS	TOTAL POWER	WIRE TYPE
	1	SR FOR POPCORN MACHINE	120	1	27.5	27.5	3300W	12THHN
	1	DR FOR HOT WATER & PUMP	120	1	13.4	13.4	1608W	12THHN
	1	DR FOR POS AND CONVENIENCE	120	1	15	15	1800W	14THHN
	1	DR FOR LIGHTS	12	1	4.17	8.34	100W	14THHN

STAINLESS MILL WORK
ELECTRICAL
PLUMBING
REFRIGERATION
DWG. NO. **OF**

THIS DRAWING IS THE PROPERTY OF KEVRY CORP. AND IS TO REMAIN IN THE POSSESSION OF OUR REPRESENTATIVE UNLESS PERMISSION IS GIVEN BY KEVRY CORP. AND MUST BE RETURNED WHEN REQUESTED.